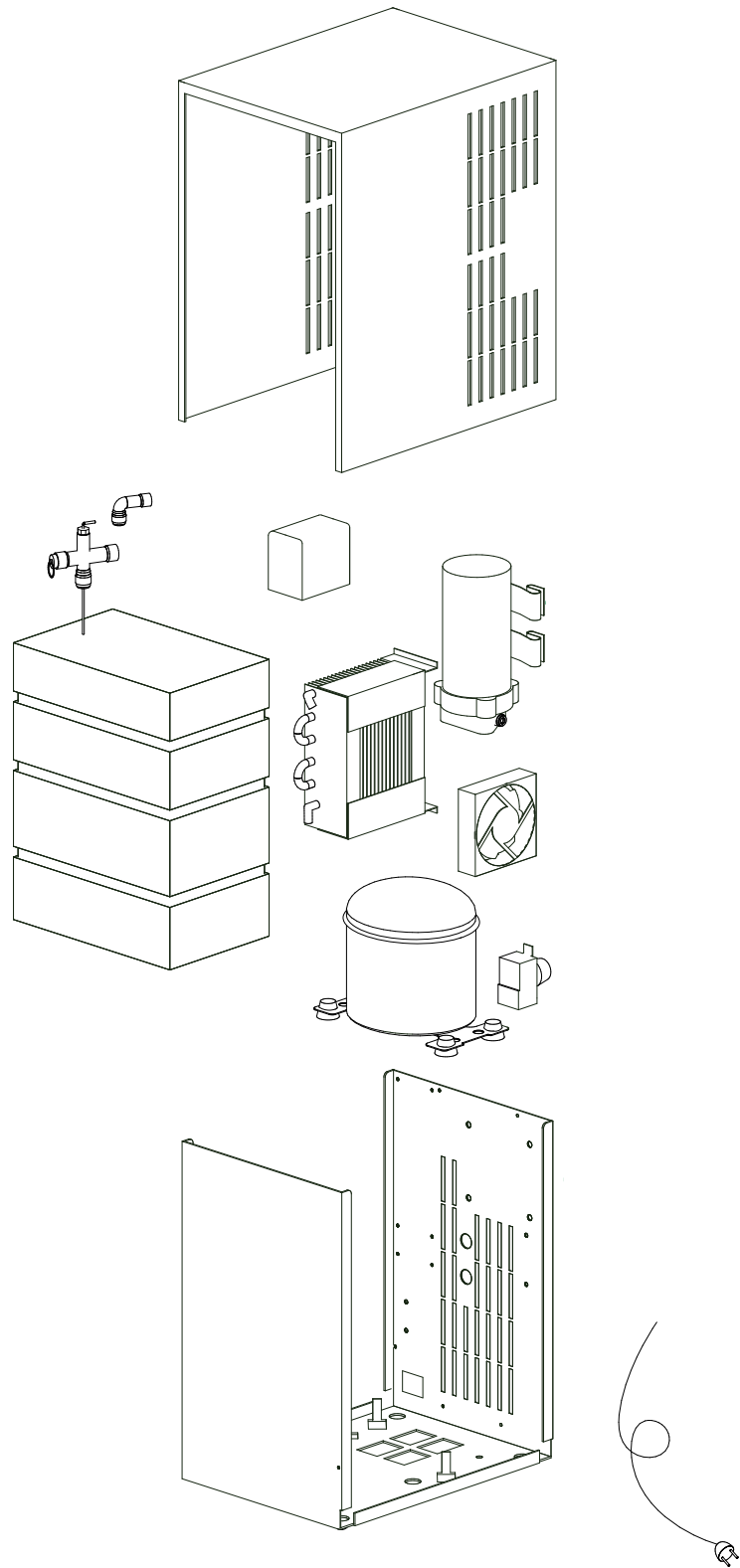


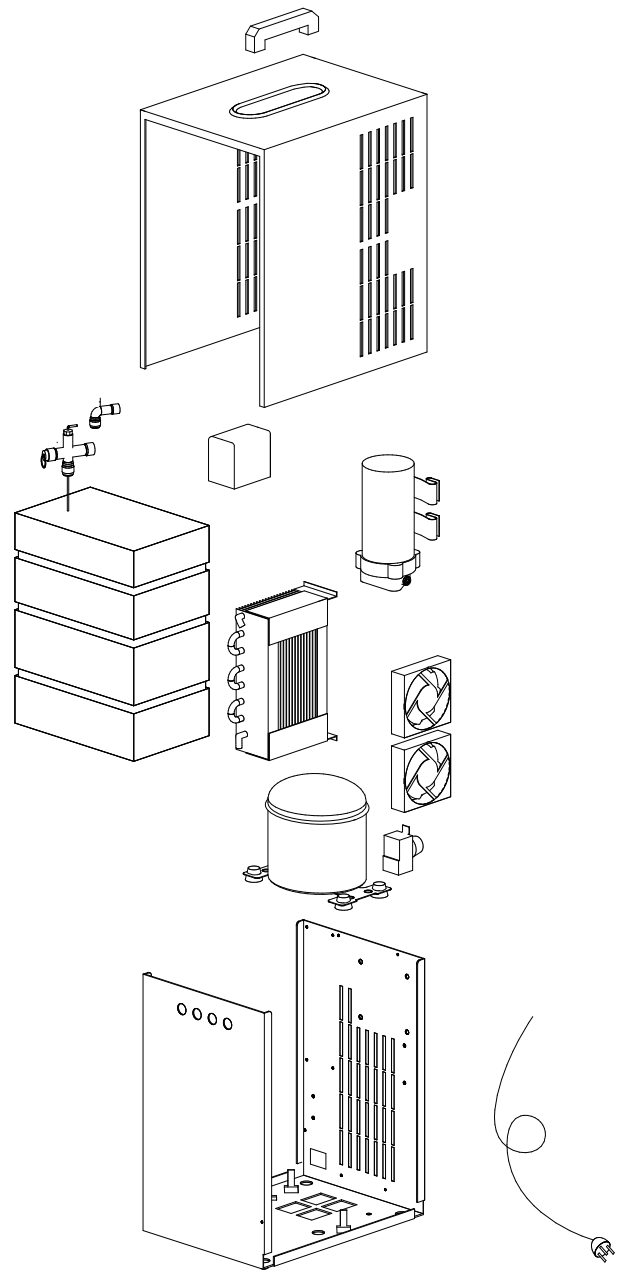
REFRESH U90



1 2 3 4 5 6 7 8

A
B
C
D
E
F

REFRESH U270



Rev.2		28.11.17	RR	SLV	RR	RR	EXPLODED DRAWING	RFU 270 004		
Rev.1		04.05.15	RR							
	Creation	01.02.15	RR				SHEET DESCRIPTION	DESCRIPTION ITEM	CODES ITEMS SAP	
REV.	MOD.	DATE	DISEGNER	VERIFIED	APPROVED	ISSUED				



FURTHER TO ACTUAL LAWS ON COPYRIGHT THIS DRAWING CANNOT BE COPIED, RE-PRODUCED O DELIVERED TO THIRD OR CUNCURRENTCOMPANIES. P.S.: ONLY THE COPY WITH GREATER PROGRESSIVE NUMBER OF THIS DRAWING IS VALID. DRAWING MADE THROUGH CAD - NO MANUAL ALTERATION ADMITTED.

1 2 3 4 5 6 7 8